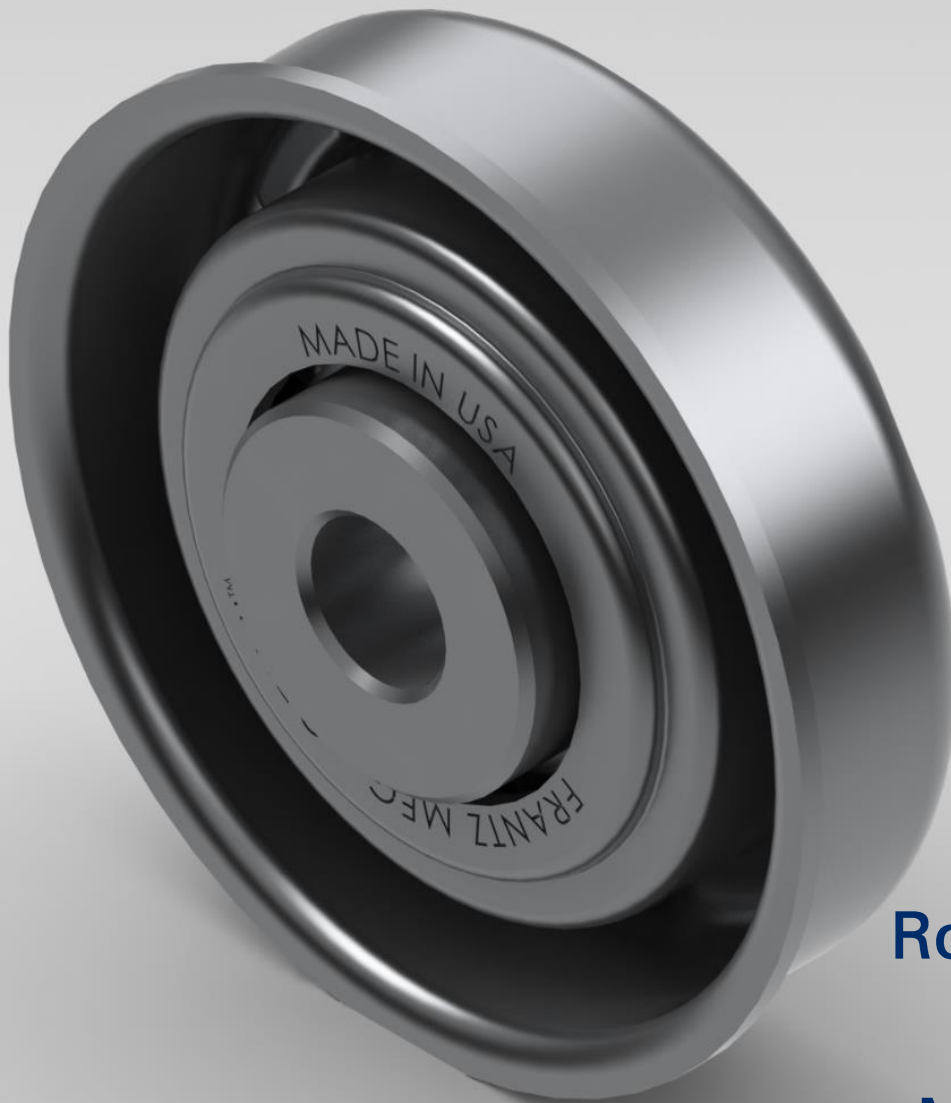




# Wheels and Bearings for Conveyors

Metric Specification



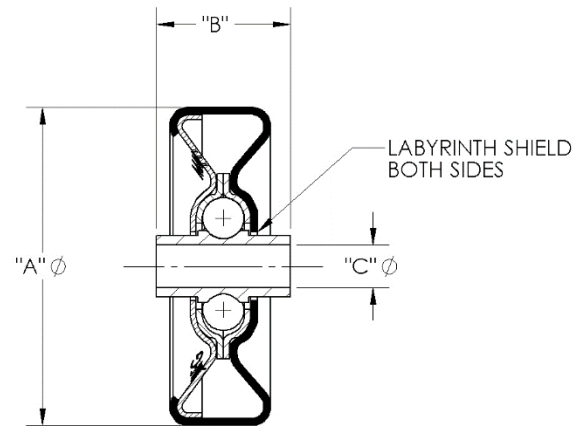
**RoHS Compliant**

**Made in the USA**

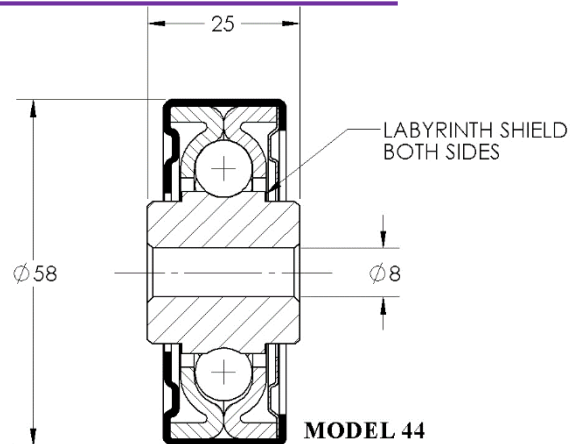
*...Roll Easy with FRANTZ®*

# Wheels for Conveyors

6 or 8 mm Bore - All raceways carefully hardened



Wheel	Inner Race			Dynamic Load Rating (kgs)	Classification	Labyrinth shield both sides
	A mm	B mm	C mm			
50	49	20	6	23	Commercial Duty	✓
36	49	24	6	23	Commercial Duty	✓
75	49	20	6	45	Commercial Duty	✓
20	49	24	6	45	Commercial Duty	✓
25	49	20	8	45	Commercial Duty	--
76	49	20	6	68	Medium Duty Tortoise Shell®	✓
40	49	24	6	68	Medium Duty Tortoise Shell®	✓
152	49	20	6	91	Heavy Duty Tortoise Shell®	--
150	49	22	6	91	Heavy Duty Tortoise Shell®	--
30	49	22	8	91	Heavy Duty Tortoise Shell®	--



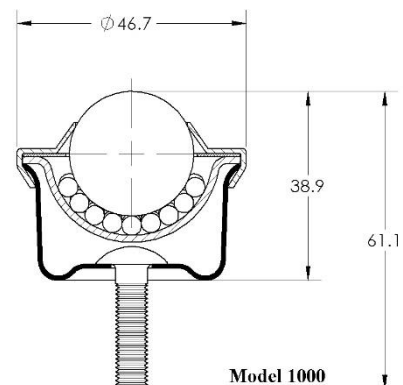
Wheel	Inner Race			Dynamic Load Rating (kgs)	Classification	Labyrinth shield both sides
	A mm	B mm	C mm			
44	58	25	8	192	Heavy Duty Tortoise Shell®	✓

# Ball Transfers

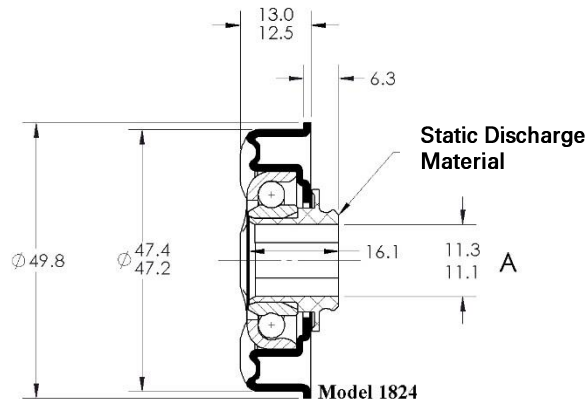
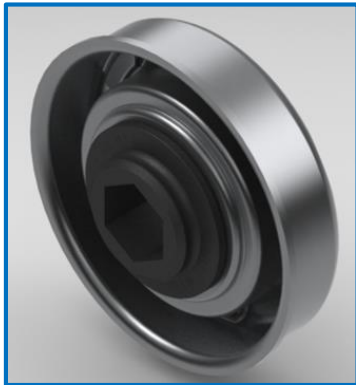


25,4mm Ball Transfer  
Load Rating – 68 kg

Metric Thread –  
Mounting bolt available on request

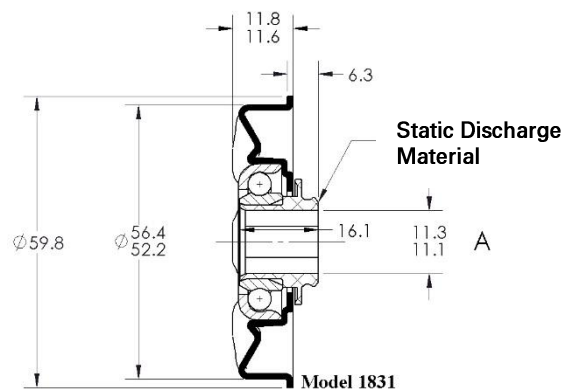
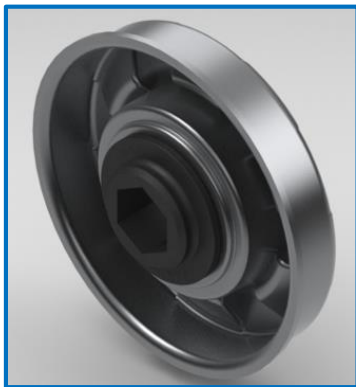


# Conveyor Bearings



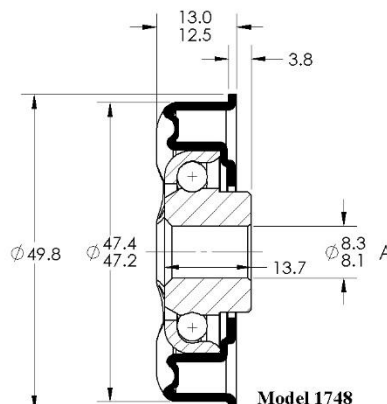
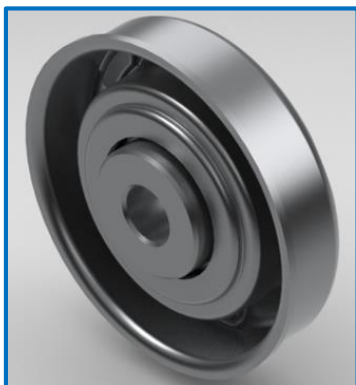
Bearing	A mm	
1824	11,2	Hex
1825	6,2	Round
1826	8,2	Round
1827	10,2	Round
1828	12,2	Round

Load Rating: 136 kg  
 Tube Diameter: 50mm  
 15 – 4,76mm Balls



Bearing	A mm	
1831	11,2	Hex
1832	6,2	Round
1833	8,2	Round
1834	10,2	Round
1835	12,2	Round

Load Rating: 136 kg  
 Tube Diameter: 60mm  
 15 – 4,76mm Balls



Bearing	A mm	
1748	8,2	Round
1749	10,2	Round
1750	12,2	Round
1751	11,2	Hex

Load Rating: 136 kg  
 Tube Diameter: 50mm  
 15 – 4,76mm Balls

# Specifications Catalogue

## Warranty

FRANTZ Manufacturing products are warranted to be free from defects in materials and workmanship. The manufacturer's obligation under this warranty is limited to the replacement of any FRANTZ manufactured bearing product which proves to be defective within one year from date of purchase, provided inspection by FRANTZ Manufacturing discloses that in its judgement, the bearings have been properly mounted, adequately lubricated and not altered or abused. FRANTZ Manufacturing assumes no responsibility for contingent or consequential damage resulting from the use of its products.

This guarantee is in lieu of all warranties expressed or implied.

FRANTZ Manufacturing Company  
3201 West LeFevre Road  
P.O. Box 497  
Sterling, IL 61081-0497 U.S.A.

Tel.: 815-625-7063

Fax: 815-625-1162

[www.frantz-mfg.com](http://www.frantz-mfg.com)

