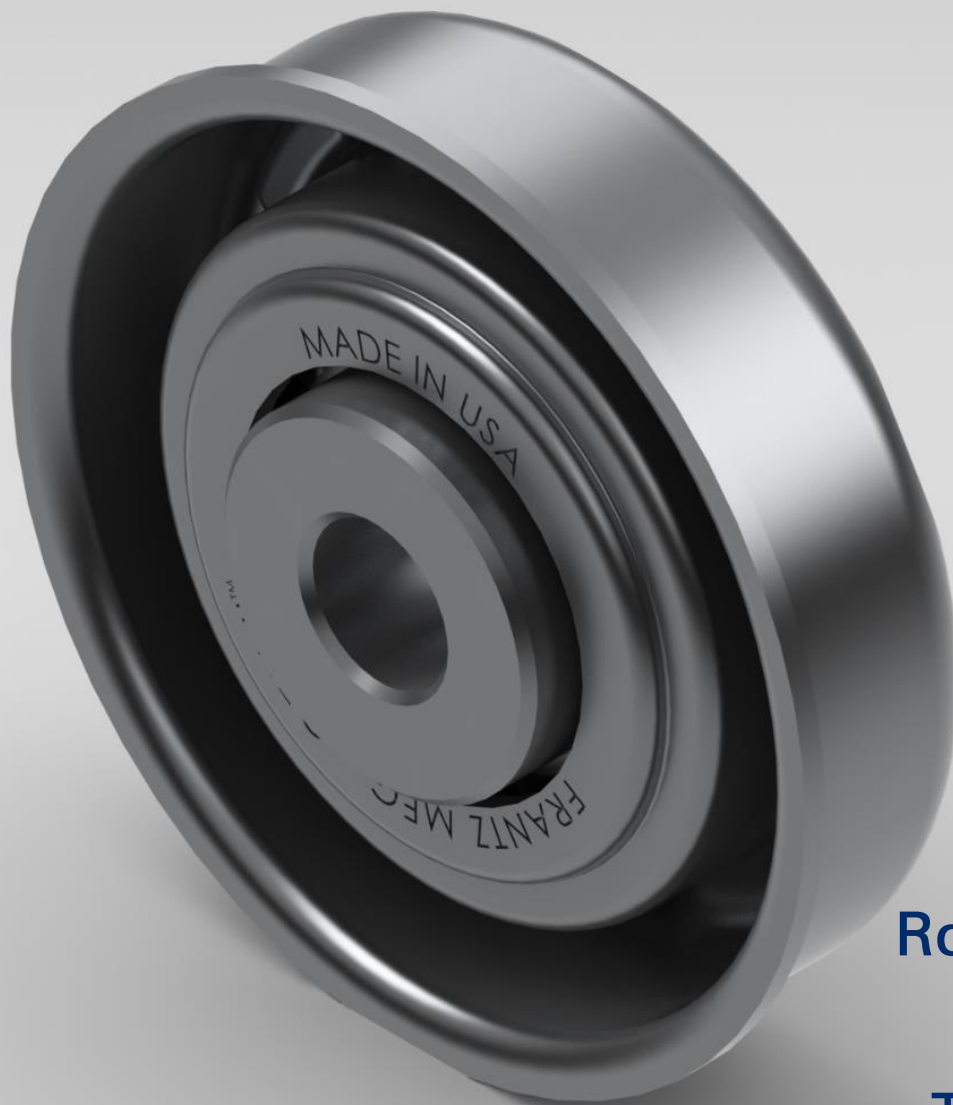




# Transportörhjulen och Transportörlager Metrisk Specifikation



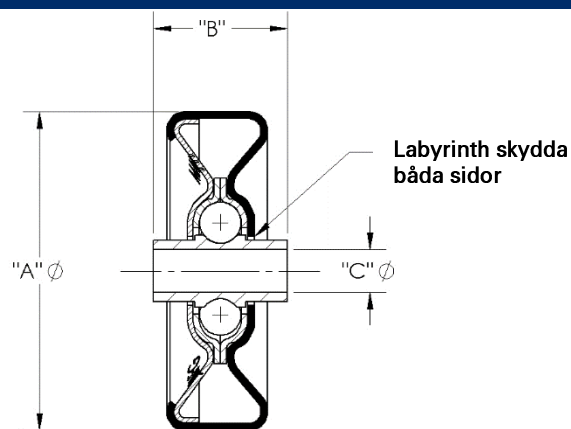
RoHS-Kompatibla

Tillverkad i USA

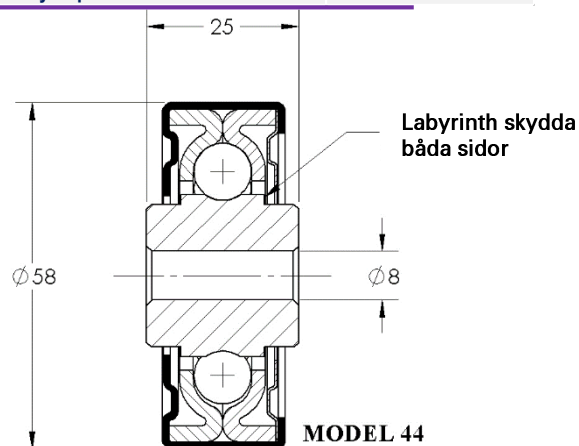
*...Roll Easy with FRANTZ®*

# Transportörhjulen

6 eller 8 mm Borrhållet - Alla löpbanorna noggrant härdade



Transportörhjulen	Innerring			Dynamiska Belastnings Betyg (kgs)	Klassificering	Labyrint skydda båda sidor
	A mm	B mm	C mm			
50	49	20	6	23	Kommersiell Kapacitet	✓
36	49	24	6	23	Kommersiell Kapacitet	✓
75	49	20	6	45	Kommersiell Kapacitet	✓
20	49	24	6	45	Kommersiell Kapacitet	✓
25	49	20	8	45	Kommersiell Kapacitet	--
76	49	20	6	68	Genomsnittlig Kapacitet Tortoise Shell®	✓
40	49	24	6	68	Genomsnittlig Kapacitet Tortoise Shell®	✓
152	49	20	6	91	Heavy Kapacitet Tortoise Shell®	--
150	49	22	6	91	Heavy Kapacitet Tortoise Shell®	--
30	49	22	8	91	Heavy Kapacitet Tortoise Shell®	--



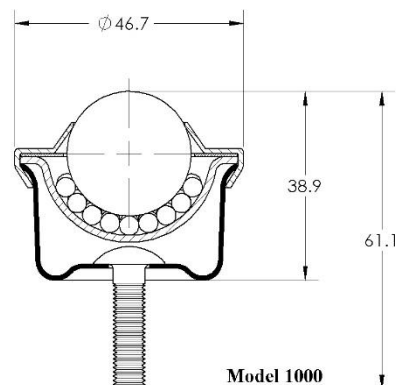
Transportörhjulen	Innerring			Dynamiska Belastnings Betyg (kgs)	Klassificering	Labyrint skydda båda sidor
	A mm	B mm	C mm			
44	58	25	8	192	Heavy Kapacitet Tortoise Shell®	✓

# Kulrullesystem

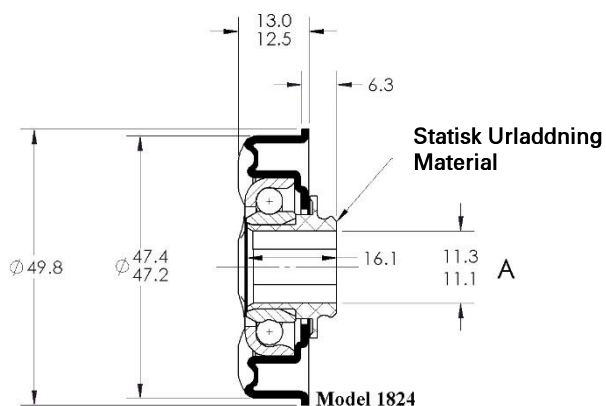
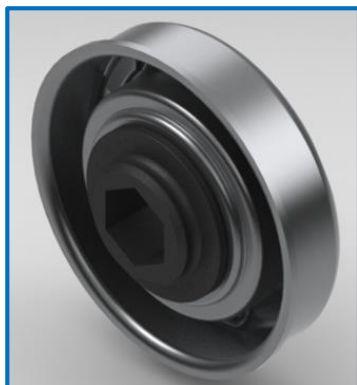


25,4mm Kulrulle  
Belastnings Betyg – 68 kg

Metrisk gänga –  
Fästbultar finns på begäran

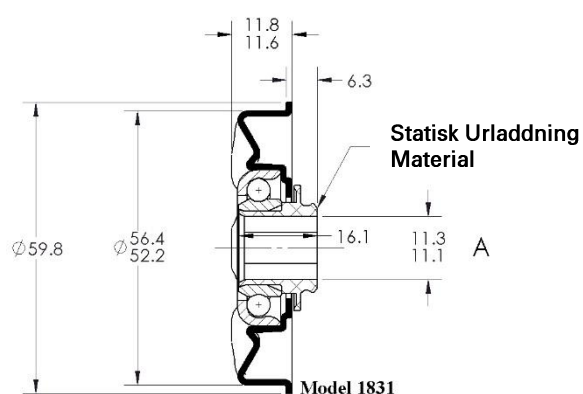
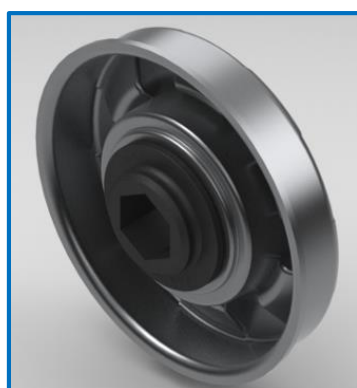


# Transportörlager



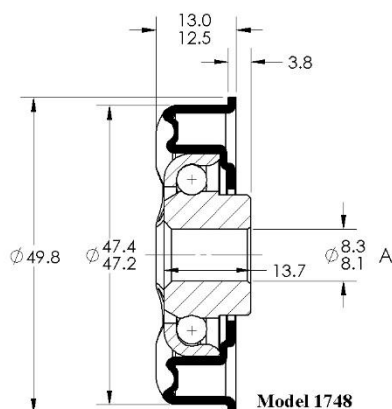
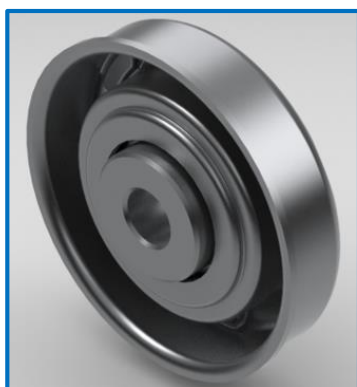
Transportörlager	A mm	
1824	11,2	Hexagonal
1825	6,2	Rund
1826	8,2	Rund
1827	10,2	Rund
1828	12,2	Rund

Belastnings Betyg: 136 kg  
Rördiameter: 50mm  
15 – 4,76mm Kulor



Transportörlager	A mm	
1831	11,2	Hexagonal
1832	6,2	Rund
1833	8,2	Rund
1834	10,2	Rund
1835	12,2	Rund

Belastnings Betyg: 136 kg  
Rördiameter: 60mm  
15 – 4,76mm Kulor



Transportörlager	A mm	
1748	8,2	Rund
1749	10,2	Rund
1750	12,2	Rund
1751	11,2	Hexagonal

Belastnings Betyg: 136 kg  
Rördiameter: 50mm  
15 – 4,76mm Kulor

# Specifikationer Catalog

## Warranty

FRANTZ Manufacturing products are warranted to be free from defects in materials and workmanship. The manufacturer's obligation under this warranty is limited to the replacement of any FRANTZ manufactured bearing product which proves to be defective within one year from date of purchase, provided inspection by FRANTZ Manufacturing discloses that in its judgment, the bearings have been properly mounted, adequately lubricated and not altered or abused. FRANTZ Manufacturing assumes no responsibility for contingent or consequential damage resulting from the use of its products.

This guarantee is in lieu of all warranties expressed or implied.

FRANTZ Manufacturing Company  
3201 West LeFevre Road  
P.O. Box 497  
Sterling, IL 61081-0497 U.S.A.

Tel.: 815-625-7063  
Fax: 815-625-1162

[www.frantz-mfg.com](http://www.frantz-mfg.com)

