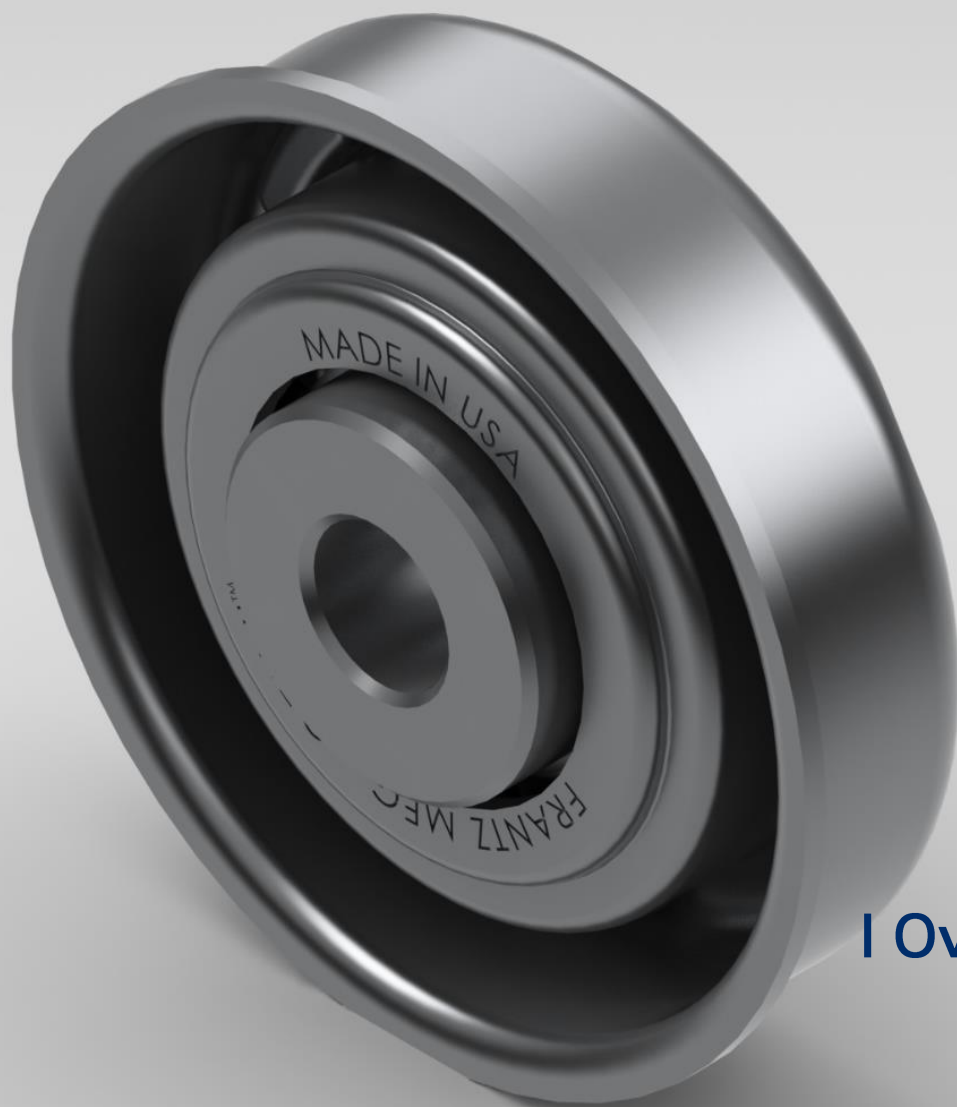




# Hjul og Rullejer til Transportbånd Metric Specifikation



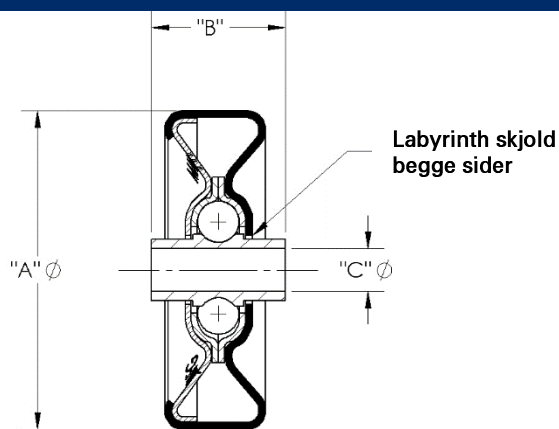
I Overensstemmelse  
med RoHS

Fremstillet i USA

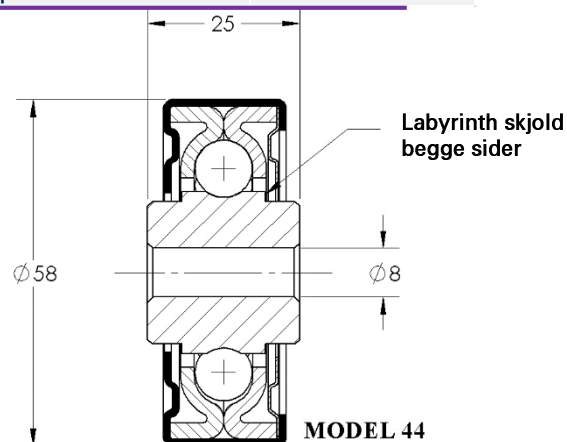
*...Roll Easy with FRANTZ®*

# Hjul til Transportbånd

6 or 8 mm Borehul - Alle sliddele omhyggeligt hærdet



Hjul	Inderring			Dynamisk Bæretal (kgs)	Klassifikation	Labyrinth skjold begge sider
	A mm	B mm	C mm			
50	49	20	6	23	Commercial Kapacitet	✓
36	49	24	6	23	Commercial Kapacitet	✓
75	49	20	6	45	Commercial Kapacitet	✓
20	49	24	6	45	Commercial Kapacitet	✓
25	49	20	8	45	Commercial Kapacitet	--
76	49	20	6	68	Gennemsnitlig Kapacitet Tortoise Shell®	✓
40	49	24	6	68	Gennemsnitlig Kapacitet Tortoise Shell®	✓
152	49	20	6	91	Heavy Kapacitet Tortoise Shell®	--
150	49	22	6	91	Heavy Kapacitet Tortoise Shell®	--
30	49	22	8	91	Heavy Kapacitet Tortoise Shell®	--



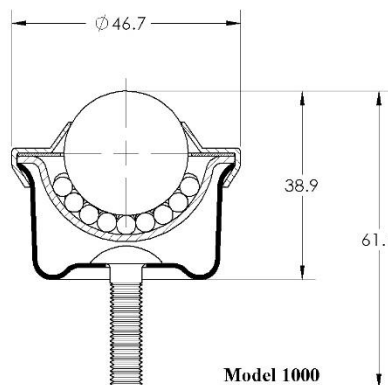
Hjul	Inderring			Dynamisk Bæretal (kgs)	Klassifikation	Labyrinth skjold begge sider
	A mm	B mm	C mm			
44	58	25	8	192	Heavy Kapacitet Tortoise Shell®	✓

# Kugle Ruller

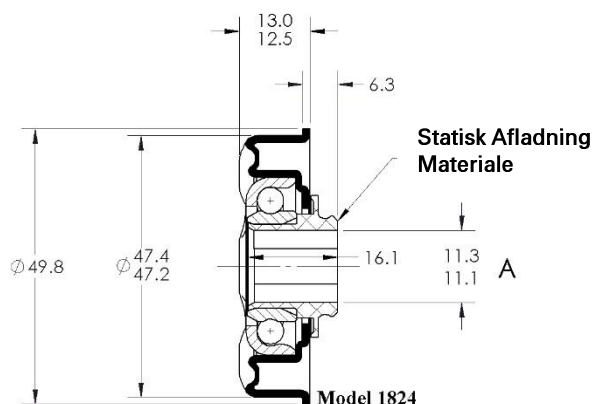
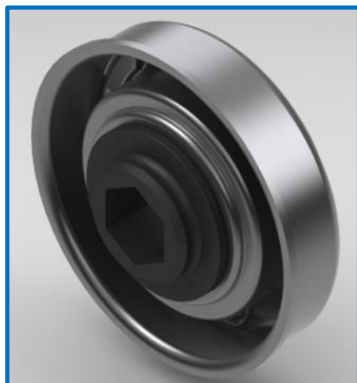


25,4mm Kugle Ruller  
Bæretal – 68 kg

metrisk gevind –  
Montering bolt rådighed på  
anmodning

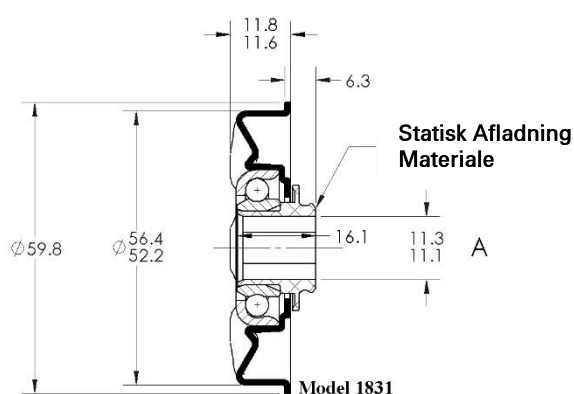
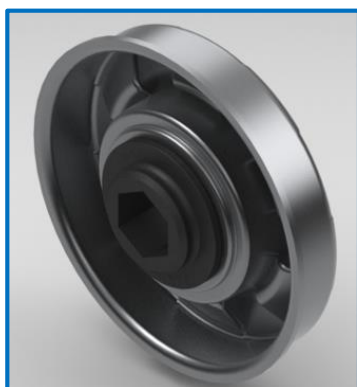


# Rullejer til Transportbånd



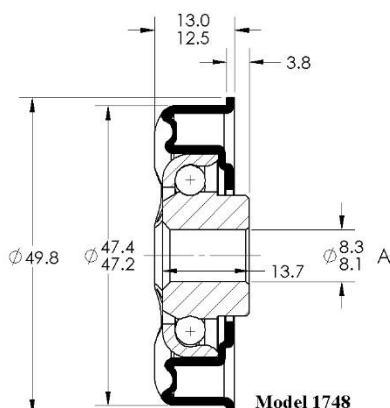
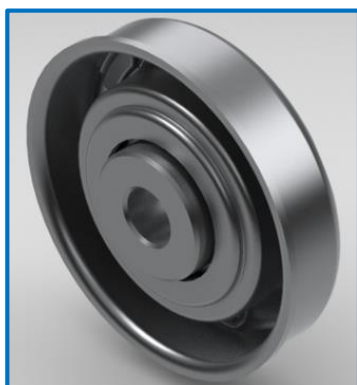
Rullejer	A mm	
1824	11,2	Hexagonal
1825	6,2	Runde
1826	8,2	Runde
1827	10,2	Runde
1828	12,2	Runde

Bæretal: 136 kg  
Rørdiameter: 50mm  
15 – 4,76mm Kugler



Rullejer	A mm	
1831	11,2	Hexagonal
1832	6,2	Runde
1833	8,2	Runde
1834	10,2	Runde
1835	12,2	Runde

Bæretal: 136 kg  
Rørdiameter: 60mm  
15 – 4,76mm Kugler



Rullejer	A mm	
1748	8,2	Runde
1749	10,2	Runde
1750	12,2	Runde
1751	11,2	Hexagonal

Bæretal: 136 kg  
Rørdiameter: 50mm  
15 – 4,76mm Kugler

## Specifikationer Butik

### Warranty

FRANTZ Manufacturing products are warranted to be free from defects in materials and workmanship. The manufacturer's obligation under this warranty is limited to the replacement of any FRANTZ manufactured bearing product which proves to be defective within one year from date of purchase, provided inspection by FRANTZ Manufacturing discloses that in its judgment, the bearings have been properly mounted, adequately lubricated and not altered or abused. FRANTZ Manufacturing assumes no responsibility for contingent or consequential damage resulting from the use of its products.

This guarantee is in lieu of all warranties expressed or implied.

FRANTZ Manufacturing Company  
3201 West LeFevre Road  
P.O. Box 497  
Sterling, IL 61081-0497 U.S.A.

Tel.: 815-625-7063

Fax: 815-625-1162

[www.frantz-mfg.com](http://www.frantz-mfg.com)

