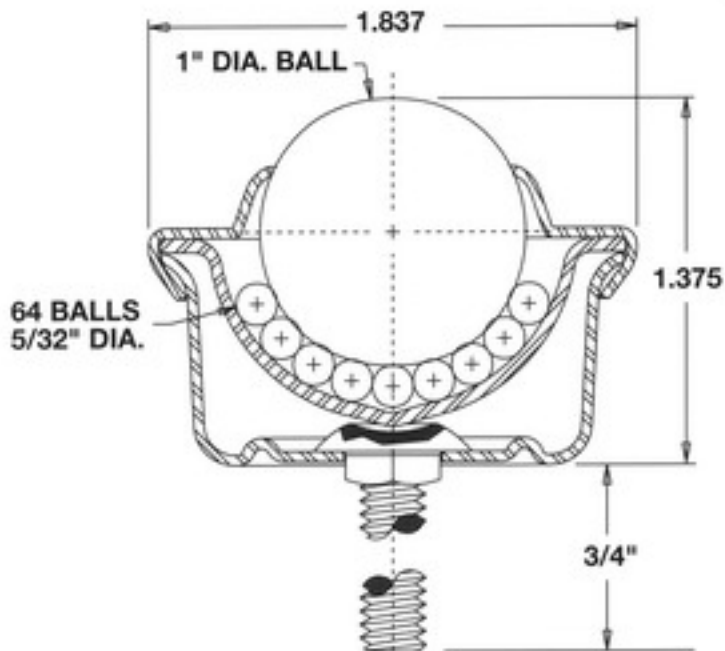


NEW!!



Key Features

- Lower height allows upgrade from competitive products
- 1/4", 5/16" & 3/8" stud sizes, 5 primary ball options to meet most applications
- Frantz grade 1000 5/32" minor balls provide higher load rating than competitors

MODELS

Carbon Steel	✓
Stainless Steel	✓
Acetyl	✓
Nylon	✓
Polypropylene	✓

LOAD

Maximum Static Load (pounds/kgs)

Carbon Steel	150/68.1
Stainless Steel	150/68.1
Acetyl	125/56.75
Nylon	75/34.05
Polypropylene	50/22.7

Frantz Manufacturing Co.
 3201 West LeFevre Road
 P.O. Box 497
 Sterling, IL 61081-0497



Call us today for **FREE** samples and additional information: **815-625-7063**
 Visit us on the Web at www.frantz-mfg.com